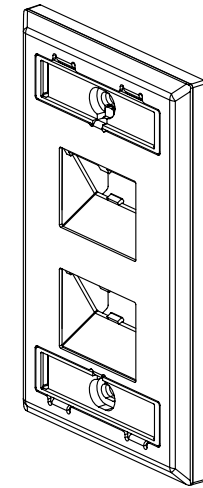
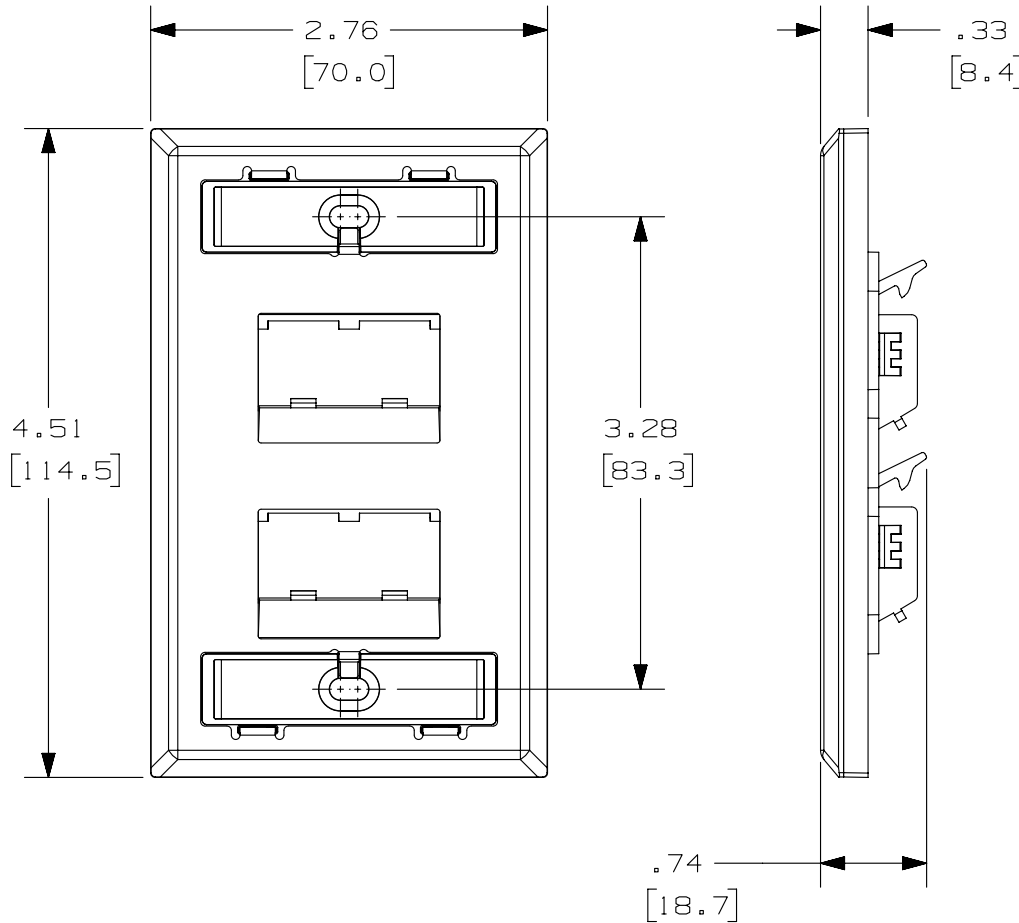


THIS COPY IS PROVIDED ON A RESTRICTED BASIS AND IS NOT TO BE USED IN ANY WAY DETRIMENTAL TO THE INTERESTS OF PANDUIT CORP.

PANDUIT P/N	WEIGHT
CFPSL4S	.92 LB/10 PCS (417.3g/10PCS)

NOTES:

1. SEE CURRENT CATALOG FOR ADDITIONAL PART NUMBER SUFFIXES TO INDICATE COLOR AND/OR PACKAGE QUANTITY.
2. SEE CATALOG FOR COMPLETE LIST OF PARTS APPLICABLE FOR USW WITH THIS PART.
3. DIMENSIONS IN PARENTHESES ARE IN METRIC.
4. PART INCLUDES:
  - 1- FACEPLATE
  - 2- #6-32 MOUNTING SCREWS
  - 2- LABEL
  - 2- LABEL COVER



PART NUMBER		CFPSL4S	
TITLE			
MINI-COM 4 POSITION STAINLESS STEEL SLOPED RECESSED FACEPLATE WITH LABEL COVER CUSTOMER DRAWING			
ITEM REVISION NAME		M02093CA/01	
DATASET FILE NAME		M02093CA_DC02/01A	
UNLESS OTHERWISE SPECIFIED, DIMENSIONAL TOLERANCES ARE: IN [mm]		MATERIAL:	
.x ± .03 [.8]		FACEPLATE-304 S.S.	
.xxx ± .010 [.3]		BACKING-ABS	
ANGLES ±		DRAWING NUMBER:	
THIRD ANGLE PROJECTION		02093CA-02	
DRAWN BY	DATE	CHK	SCALE
BJN	8-25-14	JSP	NN0E
SHT 1 OF 1			SIZE
			A

REV	DATE	BY	CHK	APR	DESCRIPTION	ECN
R	8-25-14	BJN	JSP	MMR	RELEASED TO PRODUCTION	02093CA-02

D10100DA/14